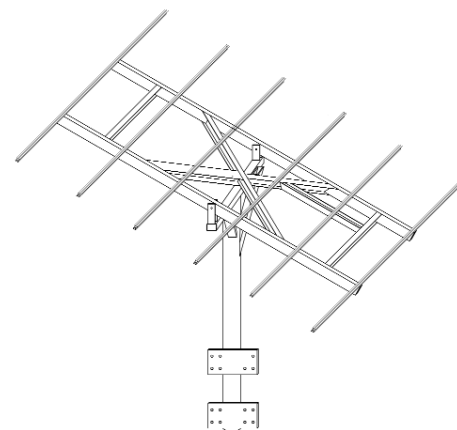


## DEGER TOPtraker® 8.5 / 25HD

### Single-axis, active tracking systems



**DEGER TOPtraker® 8.5**  
without concrete foundations for flat roof installation



**DEGER TOPtraker® 25HD**

### DEGER TOPtraker® 8.5 / 25HD

Single-axis, active tracking systems suitable for all current solar modules

**Areas of application:**

- For increased performance for all photovoltaic applications.
- For flat roofs, landfills and buildings.
- For all current modules.

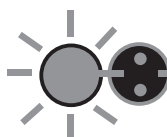
	TOPtraker® 8.5	TOPtraker® 25HD
<b>For solar energy capacity</b>	500 ... 1,290 Wp	2,000 ... 3,800 Wp
<b>Module area up to</b>	8.5 m <sup>2</sup>	25 m <sup>2</sup>
<b>Angle of inclination - south</b>	30°	Standard 30° / optional 0° and 15°
<b>Elevation inclination angle</b>	30° ... 50°	0° ... 45°
<b>Control unit</b>	<b>DEGERconector</b>	
<b>Operating voltage</b>	20 ... 40 VDC	Energy converter II
<b>East - west drive</b>	420 mm stroke path	850 mm stroke path
<b>Internal power consumption:</b>	0.1 Watt	
<b>control mode</b>	0.1 Watt	
<b>with operating drives approx.</b>	5 Watts	7 Watts
<b>Power consumption per year approx.</b>	1 kWh	2 kWh
<b>Mast height</b>	---	4 m / optional 5 m
<b>Weight (excluding mast)</b>	115 kg	560 kg
<b>Maintenance</b>	maintenance-free	
<b>Geographic region</b>	Equator ... 60° latitude	
<b>Art.no.:</b>	1110001	1120001

The systems are designed in accordance with DIN 1055-4 (03/2005). Project-specific assimilation to regional provisions. Subject to technical changes for future improvements.

**Scope of delivery:**

Complete tracking system in the optimised azimuth axis, DEGERconector control electronics, mast for TOPtraker HD, module bearing system in aluminium, compatible with the module type used, installation instructions.

**Available at any time:** From your solar equipment retailer.



**DEGERenergie**  
Tracking Systems

DEGERenergie GmbH • 72160 Horb/Germany  
info@DEGERenergie.com • www.DEGERenergie.com